

Valiant™ LED Series AVPL2

Decorative LED Luminaire

- Long-life platform: both the LED light engine and electronic multi-volt driver (120-277V) are rated 100,000 hrs at 25°C ambient (per LM-80)
- Surge protection device (standard) exceeds ANSI C62.41 Category C1 criteria (surge tested at 20kV/10kA)
- New DTL photocontrols for solid-state lighting (available with PCSS and PCLL options) complies with ANSI C136.10 criteria
- Downward lumens exceed that of a typical 150W HPS platform
- 3K, 4K and 5K CCT choices
- CSA listed at 30°C

The Valiant LED

The Valiant LED combines the refined aesthetics and install-friendly features of the popular Valiant series with a powerful new electronic platform. The AVPL's patent-pending light engine offers excellent optical control and heat dissipation to give you a beautiful, efficient lighting source while preserving the life of the electronic platform. The surge protection device and optional solid-state lighting photocontrol provide outstanding protection against electrical disturbances (such as lightning), and by using RoHS-compliant materials, the AVPL also protects our environment. It's lighting, enlightened.



LIGHTING THE WAY TO THE FUTURE OF TECHNOLOGY!

LED

Valiant™ LED Series AVPL2

Decorative LED Luminaire



Prismatic Panel

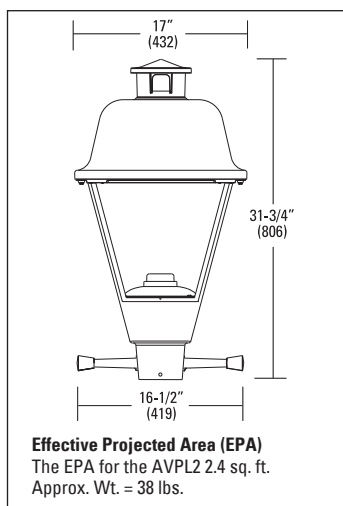
Rain Panel

ORDERING INFORMATION

Example: AVPL2 30LEDE10 MVOLT 4K R3 AY

Series	Performance Package	Voltage	Color Temperature (CCT)
AVPL2 Valiant LED	30LEDE10 30 Chips, 1000 mA Driver, 108 input watts 30LEDE70 30 Chips, 700 mA Driver, 68 input watts 20LEDE10 20 Chips, 1000 mA Driver, 72 input watts 20LEDE70 20 Chips, 700 mA Driver, 45 input watts 10LEDE10 10 Chips, 1000 mA Driver, 38 input watts 10LEDE70 10 Chips, 700 mA Driver, 25 input watts	MVOLT Multi-volt, 120-277V 347 347V 480 480V	3K 3000K 4K 4000K 5K 5000K

Distribution	Optics	Options
R2 Type II R3 Type III R5 Type V	AY Acrylic (Prismatic) RNA Rain Panel Acrylic RNP Rain Panel Polycarbonate	Paint ¹ (blank) Black (standard) GY Gray DDB Dark Bronze WH White BZ Bronze Photocontrol (blank) NEMA Photocontrol Receptacle (standard) NR ² No Photocontrol Receptacle Miscellaneous PCSS ^{4,5} Solid State Lighting Photocontrol (120-277V) PCLL ^{4,5} Solid State Long Life Photocontrol NL NEMA Label TL Tool-less Entry LDR ³ Ladder Rest SH Shorting Cap DE ROAM concierge VE ROAMview DM ⁶ DM 0V-10V dimmable driver only (leads attached) HSB House Side Shield Black HSW House Side Shield White XL Not CSA Listed CR Enhanced Corrosion Resistant Finish SS Stainless Steel Hardware



Notes:

- Other colors available, please contact factory
- PC and SH not available with NR option
- Ships with unit, field installed
- Standard failure mode="Fail Off"
- Photocontrols supplied with ANSI Standard Turn-On levels
- DM not available for 30LEDE10 or 20LEDE10 with 480V



An Acuity Brands Company

AEL Headquarters, 3825 Columbus Road, Granville, OH 43023

AEL-1013 2/14 ©2014 Acuity Brands Lighting, Inc. All Rights Reserved.

Warranty Five-year limited warranty. Full warranty terms located at www.acuitybrands.com/CustomerResources/Terms_and_conditions.aspx

Visit our web site at www.americanelectricalighting.com

Product specifications may change without notice.
 Please contact your sales representative for the latest product information.